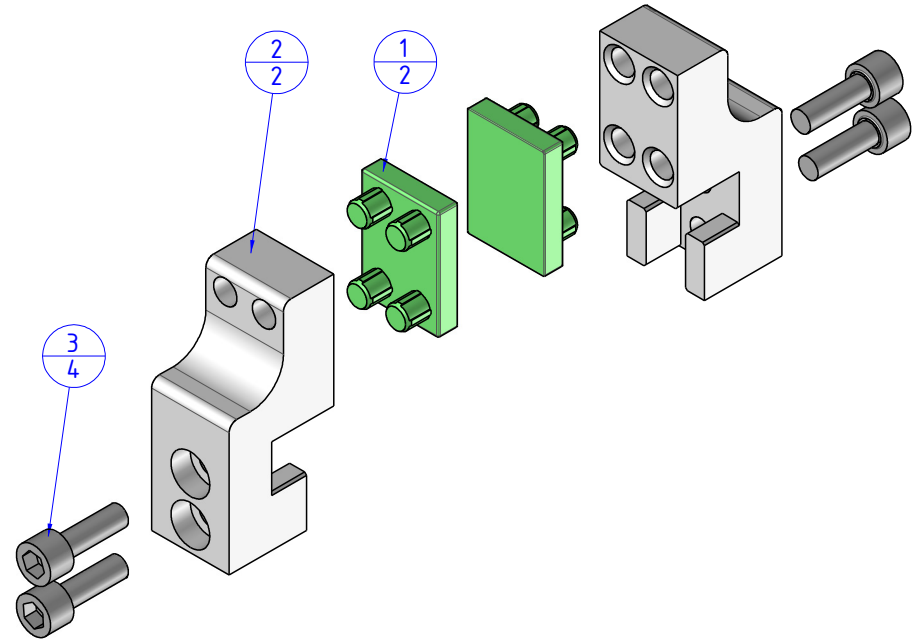
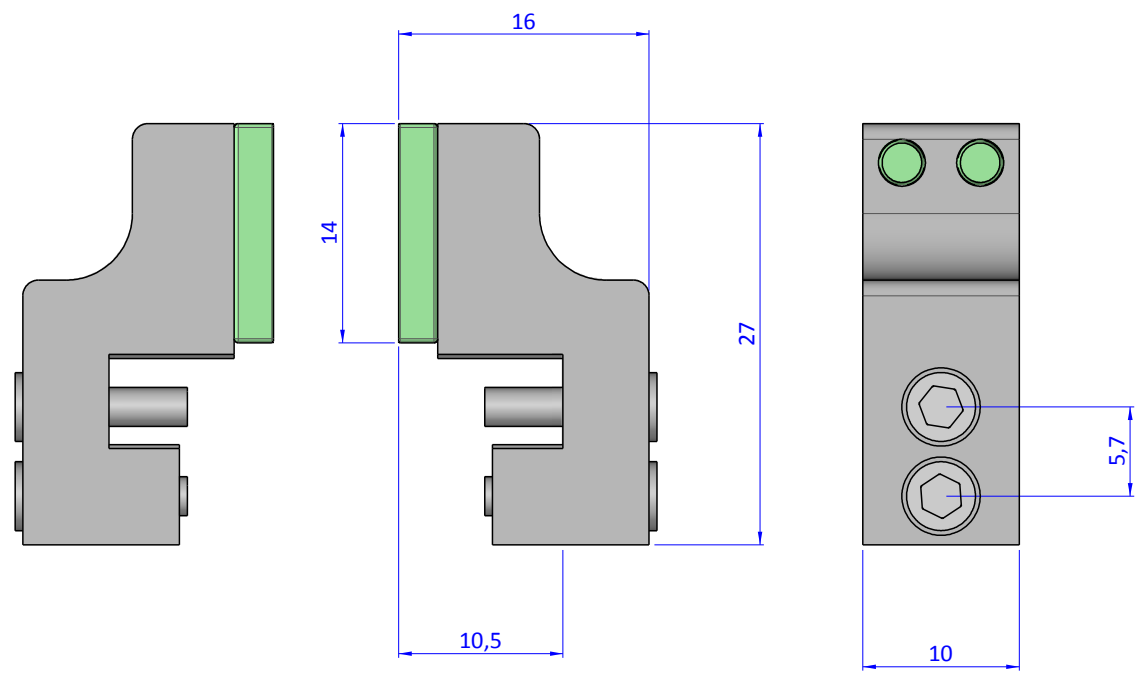


THE PROPERTY OF THE DRAWING IS ESTABLISHED BY LAW. IT IS FORBIDDEN TO PRODUCE OR SHOW IT TO THIRD PARTY, WITHOUT A WRITTEN AGREEMENT.

Item	Name	Q.ty
1	GRF14.95.08.V	2
2	KB.10	2
3	V.TCE2,5x8	4



Format A3  
UNI 936-76

		DESIGNED FROM	REVIEW
		FPS Automation	A
GENERAL TOLERANCE	DESCRIPTION	DATE	WEIGHT
UNI - ISO 2768		08/11/2018	0,011kg
CLASSE f		CODE	CA.KB.10
		CA.KB.10	